



GDM7243QT

Advanced LTE Category 5/6/7 Single Chip with 4x4 MIMO

Extends Support to Bands B42 and B43

Advanced LTE with Carrier Aggregation or Single 4X4 MIMO



Features

- LTE single chip integrating RF transceiver and baseband supporting LTE Advanced.
- 3GPP Release 10 and 11-compliant.
- Supports FDD-TDD LTE Category 5, 6 and 7.
- Downlink speeds of 300Mbps (FDD) and 220 Mbps (TDD).
- Features 4x4 MIMO.
- Supports 3.4-3.8 GHz in addition to all legacy LTE bands.
- Supports carrier aggregation
 - TDD-FDD, contiguous/non-contiguous, DL & UL
- 4Rx Diversity supported.
- Supports 2Tx (CDD, CA, TM2, SU-MIMO), 1Tx.
- Enables high power UE (HPUE).
- Supports VoLTE.

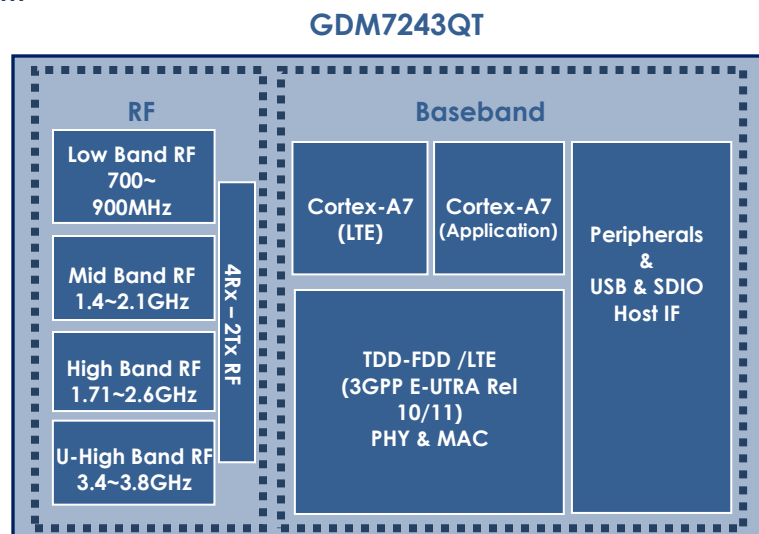
Interfaces

- LPDDR2 (x32bit), NAND
- 2xSDIO3.0 (host), USB3.0/2.0 (device/host), RGMII
- USIM, I2S/PCM, NAND, SPI, UART

Package Outline

- 13 x 13.5 x 1.2 mm BGA package

Block Diagram



Key Benefits

- LTE-Advanced
- FDD-TDD LTE Category 5, 6, 7
- 4X4 MIMO
- 4Rx Diversity & Interference Canceller
- 2Tx CA, MIMO, CDD
- Low Power Consumption
- FDD+TDD Joint Flexible Carrier Aggregation combination
- Supports all Bands (700MHz~2.7GHz, 3.4~3.8GHz), including B42, B43 and B48

Applications

- M2M Modules
- IDU/ODU CPEs
- MiFis